



**Summary of Substantive Changes  
between the 2015 and the 2017a editions of  
ASTM A888, “Standard Specification for  
Hubless Cast Iron Soil Pipe and Fittings for Sanitary and  
Storm Drain, Waste, and Vent Piping Applications”**

**Presented to the IAPMO Standards Review Committee on January 8, 2017**

**General:** The changes to this standard may have an impact on currently listed products. The major change is:

- Added a new requirement that the manufacturer shall annually certify that the coating meets the VOHAP requirement. (see Section 9.3.1)

Section 9, Coating: Added a new requirement that the manufacturer shall annually certify that the coating meets the VOHAP requirement as follows:

*9.1 The pipe and fittings shall be uniformly coated with a material suitable for the purpose that is adherent and not brittle, and without a tendency to scale. The coating shall be applied in accordance with the coating manufacturer’s requirements. External touch marks from points of contact during the coating process are permitted. The coating shall not contain asbestos above current ~~MSDS~~ reportable levels.<sup>9</sup> ~~Material~~ Safety data sheets shall be furnished by the coating manufacturer when requested. The coating shall be evenly and smoothly applied to all surfaces, except in threaded openings, unless the coating is specifically designed for threaded openings.*

*9.2 Pipe and fittings coatings shall not ~~be coated with paint containing~~ contain lead which exceeds levels above 0.06 % (600 ppm).*

*9.2.1 The manufacturer shall annually prepare and submit samples to a qualified laboratory for test in accordance with Practice E1645. The manufacturer shall prepare and submit samples when changing sources of supply or the coating manufacturer changes formulations for the coating.*

*9.3 Pipe and fittings coatings shall not ~~be coated with paint containing~~ contain levels of volatile organic hazardous air pollutants (VOHAPs) which exceed levels of 2.6 ~~pounds~~ lb (0.31 kg/L) of VOHAPs per gallon of solids in accordance with Practice D3960.*

*9.3.1 ~~A coating shall be sampled at the point of application, in its original state, not after the coating has been cured. The manufacturer shall annually certify that the coating meets the VOHAP requirement. It is permissible for the coating manufacturer to provide the certification.~~*

*~~9.3.2 The manufacturer shall annually prepare and submit samples to a qualified laboratory for test in accordance with Practice D3960.~~*

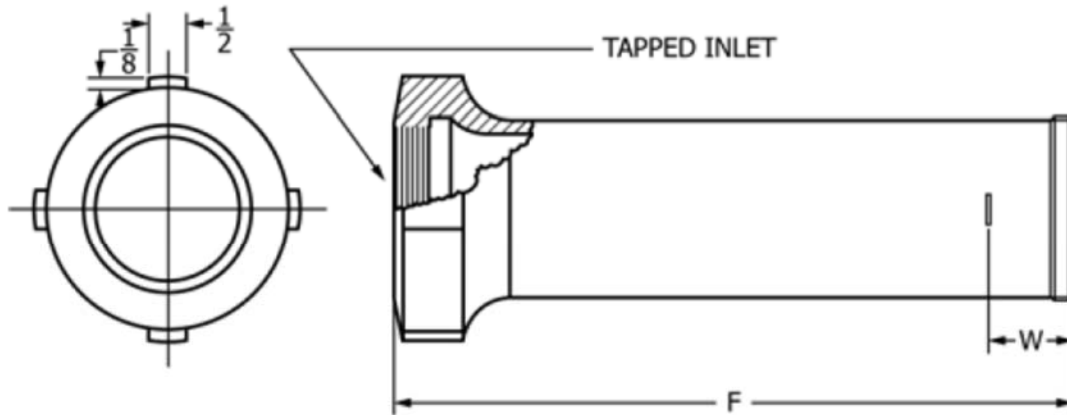
*~~9.4 The manufacturer shall prepare and submit samples when changing sources of supply or the coating manufacturer changes formulations for the coating.~~*

*~~9.5~~ 9.4 Records shall be maintained for a period of seven years.*

*~~9.6~~ 9.5 Copies of the coating ~~test~~ certification shall be furnished when requested.*

<sup>9</sup> The Global Harmonized System of classification and labeling of chemicals sets the same rules for classifying hazards, and mandates the same format and content for labels and Safety Data Sheets for use around the world.

Figure 40, Tapped Extension Piece (Corresponds to Table 62 of CISPI Specification 301): Added Items No. 2280 and 2282 as follows:



ASA Code Group 022		Dimensions in Inches <sup>A</sup>		
Item No.	Size (Inches)	$F^B \pm 1/8$	IPS <sup>C</sup> Tapping	W
2100	3	12	3	1 1/8
2280	2	18	1 1/2	1 1/8
2282	2	18	2	1 1/8

<sup>A</sup>For details of barrel, spigot, and gasket positioning lug, see Figs. 1 and 2.

<sup>B</sup>Dimension F is laying length.

<sup>C</sup>For details of tapping bosses, see Fig. 58.

**FIG. 40 Tapped Extension Piece (Corresponds to Table 62 of CISPI Specification 301)**